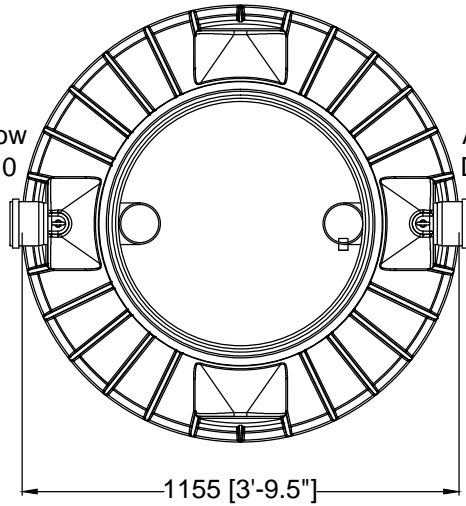


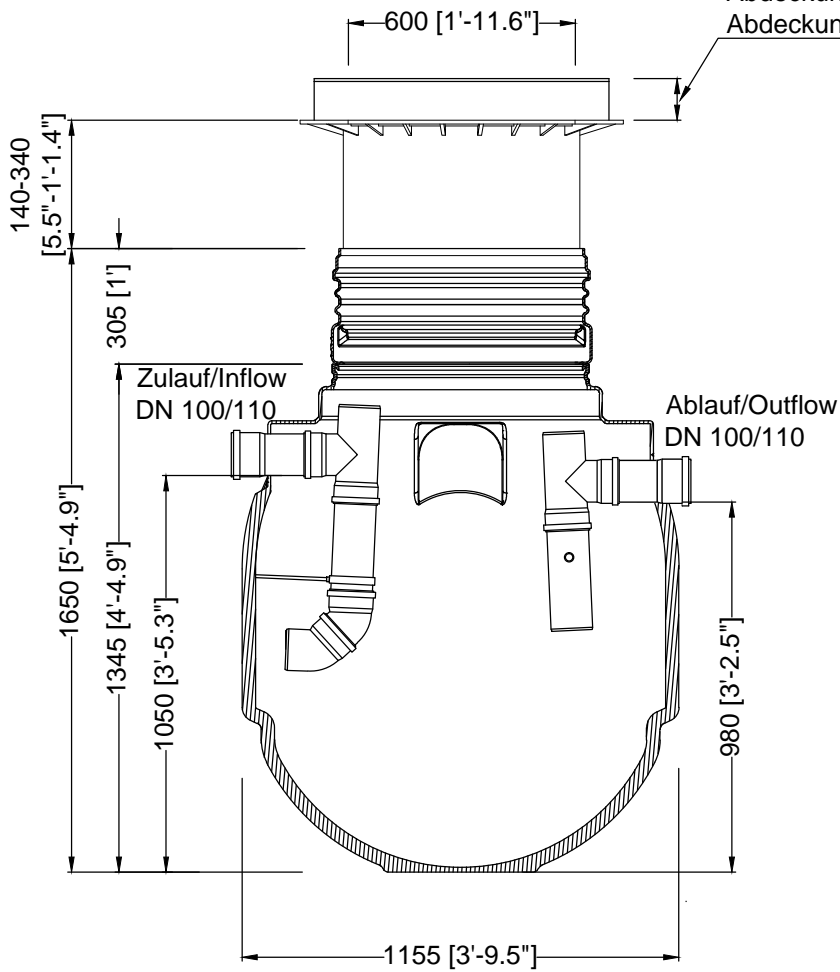
Zulauf/Inflow
DN 100/110

Ablauf/Outflow
DN 100/110



1155 [3'-9.5"]

Abdeckung Klasse B + 110mm
Abdeckung Klasse D + 140mm



140-340
[5.5'-1'-1.4"]

600 [1'-11.6"]

305 [1']

Zulauf/Inflow
DN 100/110

Ablauf/Outflow
DN 100/110

1650 [5'-4.9"]

1345 [4'-4.9"]

1050 [3'-5.3"]

980 [3'-2.5"]

1155 [3'-9.5"]



<p>Fettabscheider KLsepa.pop 2-200-3 Saphir 900L, S 200L, F 300L, G 730L, NS2</p>			<p>Artikel-Nr. product no. 108002 article no. articulo no. 108052</p>
<p>GB Grease separator KLsepa.pop NS2</p>	<p>ES Separador de grasa KLsepa.pop NS2</p>	<p>FR Bac à graisse KLsepa.pop NS2</p>	<p>revision</p>
<p>gezeichnet drawn ISC</p>	<p>Gewicht weight</p>	<p>Otto Graf GmbH Carl-Zeiss-Str. 2-6 DE-79331 Teningen mail@graf.info www.graf.info</p>	
<p>Datum date 2016.11.03</p>	<p>Toleranz tolerance +/- 3%</p>		
<p>Maßstab scale M 1:20</p>	<p>Einheiten units mm [inch] gal. = US gal.</p>		